

Краны шаровые серий KUG-AGR, KUG-TBB, KUG-TBR, KUG-IKR, KUG-VNTR, KUG-VNLR, KUG-VLLR, KUG-VLTR

Технические характеристики

По вопросам продаж и поддержки обращайтесь:

Алматы (727)345-47-04
Ангарск (3955)60-70-56
Архангельск (8182)63-90-72
Астрахань (8512)99-46-04
Барнаул (3852)73-04-60
Белгород (4722)40-23-64
Благовещенск (4162)22-76-07
Брянск (4832)59-03-52
Владивосток (423)249-28-31
Владикавказ (8672)28-90-48
Владимир (4922)49-43-18
Волгоград (844)278-03-48
Вологда (8172)26-41-59
Воронеж (473)204-51-73
Екатеринбург (343)384-55-89

Иваново (4932)77-34-06
Ижевск (3412)26-03-58
Иркутск (395)279-98-46
Казань (843)206-01-48
Калининград (4012)72-03-81
Калуга (4842)92-23-67
Кемерово (3842)65-04-62
Киров (8332)68-02-04
Коломна (4966)23-41-49
Кострома (4942)77-07-48
Краснодар (861)203-40-90
Красноярск (391)204-63-61
Курск (4712)77-13-04
Курган (3522)50-90-47
Липецк (4742)52-20-81

Магнитогорск (3519)55-03-13
Москва (495)268-04-70
Мурманск (8152)59-64-93
Набережные Челны (8552)20-53-41
Нижний Новгород (831)429-08-12
Новокузнецк (3843)20-46-81
Ноябрьск (3496)41-32-12
Новосибирск (383)227-86-73
Омск (3812)21-46-40
Орел (4862)44-53-42
Оренбург (3532)37-68-04
Пенза (8412)22-31-16
Петрозаводск (8142)55-98-37
Псков (8112)59-10-37
Пермь (342)205-81-47

Ростов-на-Дону (863)308-18-15
Рязань (4912)46-61-64
Самара (846)206-03-16
Санкт-Петербург (812)309-46-40
Саратов (845)249-38-78
Севастополь (8692)22-31-93
Саранск (8342)22-96-24
Симферополь (3652)67-13-56
Смоленск (4812)29-41-54
Сочи (862)225-72-31
Ставрополь (8652)20-65-13
Сургут (3462)77-98-35
Сыктывкар (8212)25-95-17
Тамбов (4752)50-40-97
Тверь (4822)63-31-35

Тольятти (8482)63-91-07
Томск (3822)98-41-53
Тула (4872)33-79-87
Тюмень (3452)66-21-18
Ульяновск (8422)24-23-59
Улан-Удэ (3012)59-97-51
Уфа (347)229-48-12
Хабаровск (4212)92-98-04
Чебоксары (8352)28-53-07
Челябинск (351)202-03-61
Череповец (8202)49-02-64
Чита (3022)38-34-83
Якутск (4112)23-90-97
Ярославль (4852)69-52-93

Россия +7(495)268-04-70

Казахстан +7(727)345-47-04

Беларусь +375-257-127-884

Узбекистан +998(71)205-18-59

Киргизия +996(312)96-26-47

эл.почта: kdb@nt-rt.ru || сайт: <https://kobold.nt-rt.ru/>

KUG-TB, -AG, -IK, -VN, -VL



- p_{max} : PN40; t_{max} : 160°C
- Connections: G ¼... G 3 screw thread
- For steam, gaseous, liquid and viscous media
- With handle
- Also with DIN-DVGW approval
- T and L bore (3-way version)
- Reasonably priced





2- and 3-way Ball Valves for Manual Operation, Full Bore Model KUG-TB

Design

Two-piece threaded joint body design with full cylindrical bore.

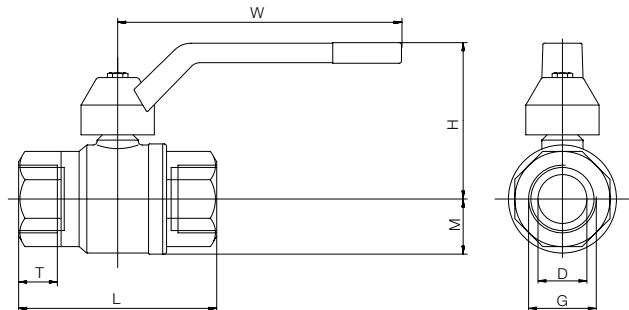
Materials

Body: brass, nickel-plated
 Ball: brass, hard-chrome plated
 Ball gasket: PTFE
 Spindle gasket: FKM
 Handle: aluminium alloy, epoxy resin coated
 blue or red

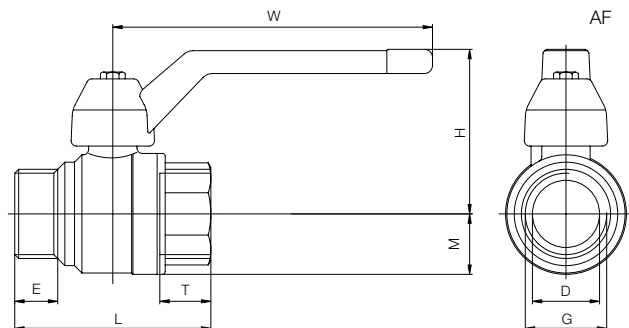
Technical Details

Connections: female/female thread G ¼ ... G 3
 female/male thread G ¼ ... G 2
 Temperature range: -20 °C ... +120 °C
 Nominal pressure: PN25 ... 80
 Operation: handle has rotating range of 90° (can be offset by 180° against the spindle)

KUG-TBR



KUG-TBB



Dimensions and Order Details (example: KUG-TBR 08)

Screw thread [G]	Order no. female thread	Order no. female/male thread	D [mm]	L [mm]	T [mm]	E [mm]	H [mm]	M [mm]	W [mm]	Weight [kg]
¼	KUG-TBR 08	KUG-TBB 08	8	45	11	9	33	10.5	75	0.1
⅜	KUG-TBR 10	KUG-TBB 10	10	45	11	10	33	11.5	75	0.1
½	KUG-TBR 15	KUG-TBB 15	15	56	14	12	49	15.5	90	0.2
¾	KUG-TBR 20	KUG-TBB 20	20	65	15	13	50	19.0	90	0.3
1	KUG-TBR 25	KUG-TBB 25	25	74	17	15	65	22.5	120	0.5
1¼	KUG-TBR 32	KUG-TBB 32	32	85	18	16	70	28.0	120	0.7
1½	KUG-TBR 40	KUG-TBB 40	40	98	20	17	80	35.0	150	1.1
2	KUG-TBR 50	KUG-TBB 50	49	110	21	20	87	42.0	150	1.5
2½	KUG-TBR 65	-	64	134	21	-	120	55.0	200	2.9
3	KUG-TBR 80	-	78	160	25	-	135	65.0	240	4.8



Design

Two-piece threaded joint body design with full cylindrical bore. Stamped from Rp 1/2 acc. AD-approval A 4.

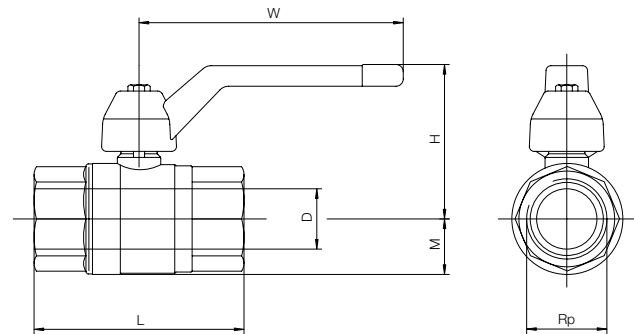
Materials

Body: brass, nickel-plated
 Ball: brass, hard-chrome plated
 Ball gasket: PTFE
 Spindle gasket: FKM
 Handle: aluminium alloy, epoxy resin coated blue

Technical Details

Connections: female thread Rp 1/4 ... Rp 2 (acc. to DIN 2999)
 Temperature range: -20 °C ... +120 °C
 Nominal pressure: see table to 80 °C
 Operation: handle has rotating range of 90° (can be offset by 180° against the spindle)

KUG-AG



Dimensions and Order Details (example: KUG-AGR 08)

Screw thread [Rp]	Order no. female thread	D [mm]	L [mm]	H [mm]	M [mm]	W [mm]	Weight [kg]	P _{max} [bar]
1/4	KUG-AGR 08	6	50	32	10.0	75	0.11	40
3/8	KUG-AGR 10	10	55	42	12.5	75	0.12	40
1/2	KUG-AGR 15	15	65	50	16.0	90	0.24	40
3/4	KUG-AGR 20	20	75	53	19.0	90	0.35	40
1	KUG-AGR 25	24	86	62	23.0	120	0.64	40
1 1/4	KUG-AGR 32	30	95	70	28.0	120	1.0	32
1 1/2	KUG-AGR 40	38	101	78	35.0	150	1.11	30
2	KUG-AGR 50	47	120	85	42.0	150	1.97	30

Minimum order quantity: 20 pcs., mixed sizes possible



2-way Gas Ball Valve, for Manual Operation, Full Bore Model KUG-IK

DIN DVGW Registration Number NG-4312BN0021

Design

Two-piece threaded joint body design with full cylindrical bore. For all gases as per DVGW worksheet G 260/I for gas stop valves.

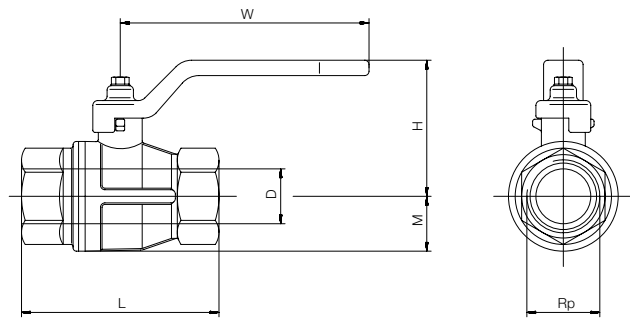
Materials

Body:	brass, nickel-plated
Ball:	brass, hard-chrome plated
Ball gasket:	PTFE
Spindle gasket:	NBR/FPM
Handle:	galvanised steel, epoxy resin coated yellow

Technical Details

Connections:	female thread Rp ¼ ... Rp 2 (acc. to ISO 7/1)
Temperature range:	
Gas:	-15 °C ... +60 °C
Air:	-20 °C ... +220 °C
Water:	0 °C ... +150 °C
Nominal pressure:	PN 1 ... 4 for gas PN 25 ... PN 50 (for other media without DVGW approval)
Operation:	handle has rotating range of 90°

KUG-IK



Dimensions and Order Details (example: KUG-IKR 08)

Screw thread [Rp]	Order no. female thread	D [mm]	L [mm]	H [mm]	M [mm]	W [mm]	Nominal pressure water [PN]	Weight [kg]
¼	KUG-IKR 08	10	50	37	12	80	50	0.15
⅜	KUG-IKR 10	10	53	37	12	80	50	0.27
½	KUG-IKR 15	15	61	49	16	89	50	0.27
¾	KUG-IKR 20	20	68	55	19	113	40	0.41
1	KUG-IKR 25	25	85	59	23	113	40	0.57
1¼	KUG-IKR 32	32	100	75	29	138	30	0.90
1½	KUG-IKR 40	40	109	90	36	158	30	1.28
2	KUG-IKR 50	50	130	97	43	158	25	1.92

Minimum order quantity: 20 pcs., mixed sizes possible

Design

Four-piece threaded joint body design with mounting pad for actuator mounting, full cylindrical bore, T or L bore, sealing on all ports. Does not prevent crossover flow.

Materials

Body: brass, nickel-plated
 Ball: brass, hard-chrome plated
 Ball gasket: PTFE
 Spindle gasket: PTFE and FKM
 Handle: zinc-coated steel, plastic sheathed, red

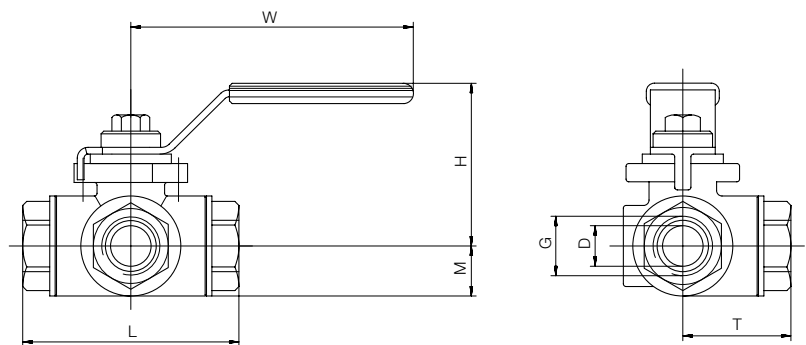
Technical Details

Connections: G ¼ ... G 2
 Temperature range: -20 °C ... +150 °C
 Nominal pressure: PN 10 ... PN 30 ... 80 °C (see table)
 Operation: handle has rotating range of 90° (can be offset by 90° against the spindle)

Positions

	T-bore				L-bore		
Handle or actuator mounting							
0° position							
90° position							

KUG-VN



Dimensions and Order Details (example: KUG-VNTR 08)

Screw thread [G]	Order no. T-bore	Order no. L-bore	Nom. size D [mm]	L [mm]	H [mm]	M [mm]	W [mm]	T [mm]	Nominal pressure [PN]	Value k_v [m³/h]	Weight [kg]
¼	KUG-VNTR 08	KUG-VNLR 08	8	67.0	62.5	17.0	120	33.5	30	2.8	0.55
⅜	KUG-VNTR 10	KUG-VNLR 10	10	67.0	62	17.0	120	33.5	30	3.0	0.52
½	KUG-VNTR 15	KUG-VNLR 15	15	77.0	63.5	20.0	120	38.5	30	3.9	0.65
¾	KUG-VNTR 20	KUG-VNLR 20	20	87.0	75	24.0	170	43.5	30	7.9	1.10
1	KUG-VNTR 25	KUG-VNLR 25	25	105.0	79.5	30.0	170	52.5	16	13.0	1.83
1¼	KUG-VNTR 32	KUG-VNLR 32	32	122.5	93	36.0	170	61.5	10	20.7	2.75
1½	KUG-VNTR 40	KUG-VNLR 40	40	138.5	113.5	43.0	230	69.5	10	38.7	4.57
2	KUG-VNTR 50	KUG-VNLR 50	50	166.0	123.5	55.5	230	83.0	10	54.0	8.37



3-way Brass Ball Valve for Manual Operation, Full Bore Model KUG-VL

Design

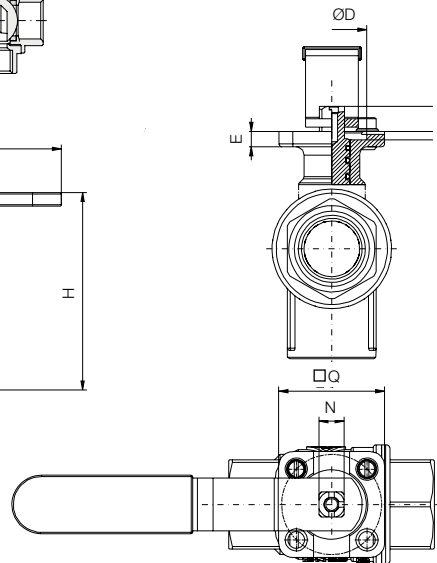
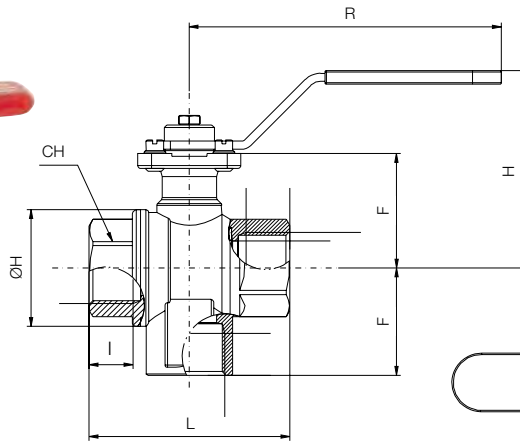
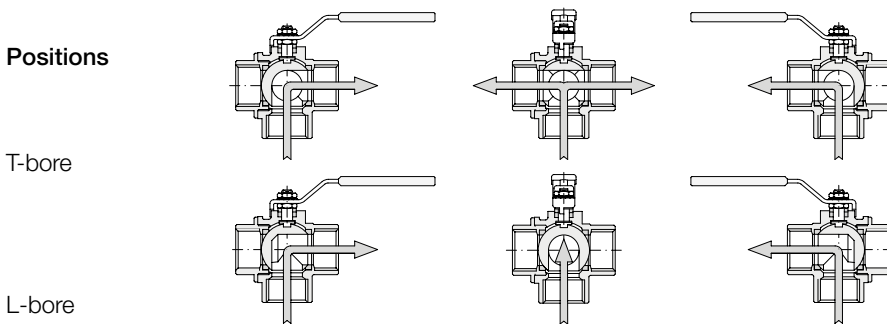
Design: two-piece threaded joint body design with full bore, T or L bore, sealed on two ports.

Materials

Body: brass, nickel-plated
 Ball: brass, hard-chrome plated
 Ball gasket: PTFE
 Spindle gasket: PTFE/NBR
 Handle: zinc-coated steel, plastic sheathed, black (G 2 and G 3 aluminium alloy)

Technical Details

Connections: G 1/4 ... G 3
 Temperature range: -15 °C ... +120 °C
 Nominal pressure: PN 6 ... 25 (see table)
 Operation: handle has rotating range of 180° (can be offset by 180° against the spindle)



Dimensions and Order Details (example: KUG-VLTR 08)

Screw thread [G]	Order no. T-bore	Order no. L-bore	DN	I	CH	ØD	E [mm]	F [mm]	N [mm]	Q [mm]	ØH [mm]	L [mm]	H [mm]	R [mm]	Kv [m³/h]	PN	Weight »L« [kg]	Weight »T« [kg]
1/4	KUG-VLTR 08	KUG-VLLR 08	8	11	22	25	5,5	28,5	9	38	28	52	60	115	1,5	25	0,22	0,22
3/8	KUG-VLTR 10	KUG-VLLR 10	10	11,4	22	25	5,5	28,5	9	38	28	52	60	115	1,8	25	0,19	0,19
1/2	KUG-VLTR 15	KUG-VLLR 15	15	15	27	25	5,5	31	9	38	34,5	64	62	115	3,9	25	0,30	0,30
3/4	KUG-VLTR 20	KUG-VLLR 20	20	16,3	32	25	5,5	42	9	38	43	74	43	115	7,9	16	0,49	0,47
1	KUG-VLTR 25	KUG-VLLR 25	25	19,1	41	25	6	45	9	38	53	89	76	115	13	16	0,78	0,76
1 1/4	KUG-VLTR 32	KUG-VLLR 32	32	21,4	50	25	6	49	9	38	63	100	79,5	115	20,7	10	1,16	1,18
1 1/2	KUG-VLTR 40	KUG-VLLR 40	40	21,4	55	35	8	61,5	11	50	77	110	95	170	38,7	10	1,71	1,53
2	KUG-VLTR 50	KUG-VLLR 50	50	25,7	70	35	8	67	11	50	93	130	101	170	54	10	2,85	2,60
3	KUG-VLTR 80	-	80	33,3	105	no mounting pad acc. to ISO 5211			20		148	197	152	260	145	6	9,50	9,20

По вопросам продаж и поддержки обращайтесь:

Алматы (727)345-47-04
Ангарск (3955)60-70-56
Архангельск (8182)63-90-72
Астрахань (8512)99-46-04
Барнаул (3852)73-04-60
Белгород (4722)40-23-64
Благовещенск (4162)22-76-07
Брянск (4832)59-03-52
Владивосток (423)249-28-31
Владикавказ (8672)28-90-48
Владимир (4922)49-43-18
Волгоград (844)278-03-48
Вологда (8172)26-41-59
Воронеж (473)204-51-73
Екатеринбург (343)384-55-89

Иваново (4932)77-34-06
Ижевск (3412)26-03-58
Иркутск (395)279-98-46
Казань (843)206-01-48
Калининград (4012)72-03-81
Калуга (4842)92-23-67
Кемерово (3842)65-04-62
Киров (8332)68-02-04
Коломна (4966)23-41-49
Кострома (4942)77-07-48
Краснодар (861)203-40-90
Красноярск (391)204-63-61
Курск (4712)77-13-04
Курган (3522)50-90-47
Липецк (4742)52-20-81

Магнитогорск (3519)55-03-13
Москва (495)268-04-70
Мурманск (8152)59-64-93
Набережные Челны (8552)20-53-41
Нижний Новгород (831)429-08-12
Новокузнецк (3843)20-46-81
Ноябрьск (3496)41-32-12
Новосибирск (383)227-86-73
Омск (3812)21-46-40
Орел (4862)44-53-42
Оренбург (3532)37-68-04
Пенза (8412)22-31-16
Петрозаводск (8142)55-98-37
Псков (8112)59-10-37
Пермь (342)205-81-47

Ростов-на-Дону (863)308-18-15
Рязань (4912)46-61-64
Самара (846)206-03-16
Санкт-Петербург (812)309-46-40
Саратов (845)249-38-78
Севастополь (8692)22-31-93
Саранск (8342)22-96-24
Симферополь (3652)67-13-56
Смоленск (4812)29-41-54
Сочи (862)225-72-31
Ставрополь (8652)20-65-13
Сургут (3462)77-98-35
Сыктывкар (8212)25-95-17
Тамбов (4752)50-40-97
Тверь (4822)63-31-35

Тольятти (8482)63-91-07
Томск (3822)98-41-53
Тула (4872)33-79-87
Тюмень (3452)66-21-18
Ульяновск (8422)24-23-59
Улан-Удэ (3012)59-97-51
Уфа (347)229-48-12
Хабаровск (4212)92-98-04
Чебоксары (8352)28-53-07
Челябинск (351)202-03-61
Череповец (8202)49-02-64
Чита (3022)38-34-83
Якутск (4112)23-90-97
Ярославль (4852)69-52-93

Россия +7(495)268-04-70

Казахстан +7(727)345-47-04

Беларусь +375-257-127-884

Узбекистан +998(71)205-18-59

Киргизия +996(312)96-26-47

эл.почта: kdb@nt-rt.ru || сайт: <https://kobold.nt-rt.ru/>