

Краны шаровые серий MFR, MFT

Технические характеристики

По вопросам продаж и поддержки обращайтесь:

Алматы (727)345-47-04
Ангарск (3955)60-70-56
Архангельск (8182)63-90-72
Астрахань (8512)99-46-04
Барнаул (3852)73-04-60
Белгород (4722)40-23-64
Благовещенск (4162)22-76-07
Брянск (4832)59-03-52
Владивосток (423)249-28-31
Владикавказ (8672)28-90-48
Владимир (4922)49-43-18
Волгоград (844)278-03-48
Вологда (8172)26-41-59
Воронеж (473)204-51-73
Екатеринбург (343)384-55-89

Иваново (4932)77-34-06
Ижевск (3412)26-03-58
Иркутск (395)279-98-46
Казань (843)206-01-48
Калининград (4012)72-03-81
Калуга (4842)92-23-67
Кемерово (3842)65-04-62
Киров (8332)68-02-04
Коломна (4966)23-41-49
Кострома (4942)77-07-48
Краснодар (861)203-40-90
Красноярск (391)204-63-61
Курск (4712)77-13-04
Курган (3522)50-90-47
Липецк (4742)52-20-81

Магнитогорск (3519)55-03-13
Москва (495)268-04-70
Мурманск (8152)59-64-93
Набережные Челны (8552)20-53-41
Нижний Новгород (831)429-08-12
Новокузнецк (3843)20-46-81
Ноябрьск (3496)41-32-12
Новосибирск (383)227-86-73
Омск (3812)21-46-40
Орел (4862)44-53-42
Оренбург (3532)37-68-04
Пенза (8412)22-31-16
Петрозаводск (8142)55-98-37
Псков (8112)59-10-37
Пермь (342)205-81-47

Ростов-на-Дону (863)308-18-15
Рязань (4912)46-61-64
Самара (846)206-03-16
Санкт-Петербург (812)309-46-40
Саратов (845)249-38-78
Севастополь (8692)22-31-93
Саранск (8342)22-96-24
Симферополь (3652)67-13-56
Смоленск (4812)29-41-54
Сочи (862)225-72-31
Ставрополь (8652)20-65-13
Сургут (3462)77-98-35
Сыктывкар (8212)25-95-17
Тамбов (4752)50-40-97
Тверь (4822)63-31-35

Тольятти (8482)63-91-07
Томск (3822)98-41-53
Тула (4872)33-79-87
Тюмень (3452)66-21-18
Ульяновск (8422)24-23-59
Улан-Удэ (3012)59-97-51
Уфа (347)229-48-12
Хабаровск (4212)92-98-04
Чебоксары (8352)28-53-07
Челябинск (351)202-03-61
Череповец (8202)49-02-64
Чита (3022)38-34-83
Якутск (4112)23-90-97
Ярославль (4852)69-52-93

Россия +7(495)268-04-70

Казахстан +7(727)345-47-04

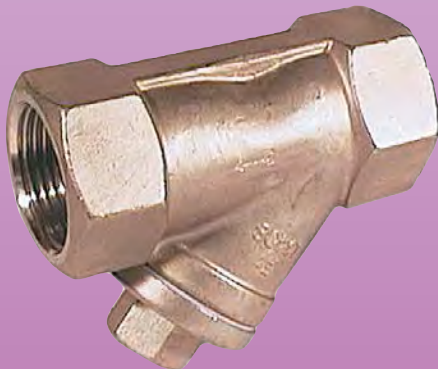
Беларусь +375-257-127-884

Узбекистан +998(71)205-18-59

Киргизия +996(312)96-26-47

эл.почта: kdb@nt-rt.ru || сайт: <https://kobold.nt-rt.ru/>

MFR/MFT



- p_{\max} : PN40
- t_{\max} : +200 °C
- Screw thread: G ¼ ... G 4
- Screw thread: Rp1 ... Rp2
- Solder connections:
22 mm ... 35 mm
- Material: brass, stainless steel, bronze
- Mesh sizes:
50 µm ... 800 µm



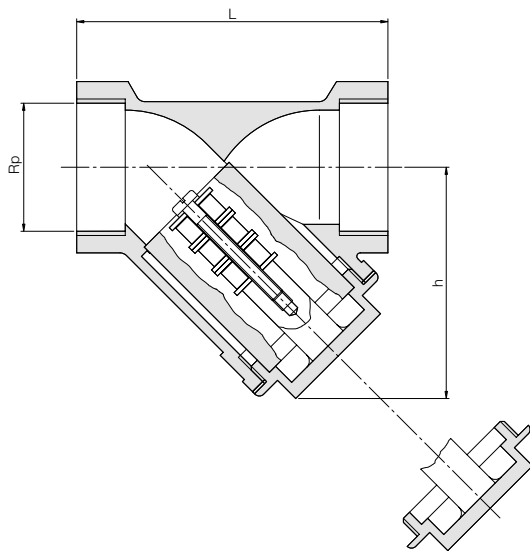
Description

KOBOLD magnetic filters are used in many applications, including central system filters, where it is necessary to protect devices from dirt and contamination. They are used to catch and remove contaminants from industrial cooling and lubrication circuits, especially where residue and sediment from assembly (such as chips from thread-cutting) and normal operation (such as scale and residue from frictional wear) can be carried along in the medium being filtered. Contaminants of these types can form deposits that can cause pitting and corrosion in highly sensitive measuring and control devices. Regular maintenance and cleaning of the magnetic filter inserts will effectively prevent system and device failure and the resulting downtime.

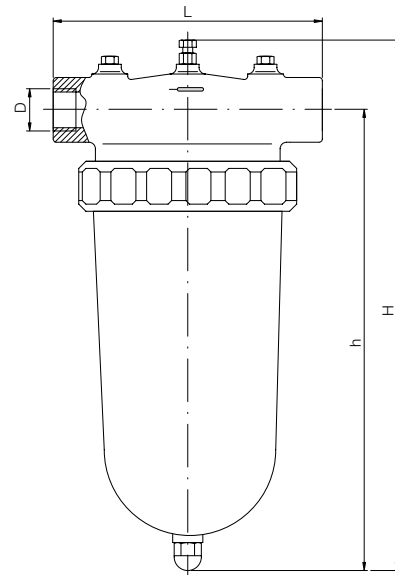
Function

The medium being filtered with these devices first flows around the centrally positioned bar magnet and then passes through – from the inside out – the stainless steel filter cartridge. The bar magnetic attracts and retains larger ferrous particles, thus making the magnetic filter easier to service. Larger, coarse pieces of material are trapped by the filter cartridge. The selected mesh sizes, from 150 to 1200 μm , ensure that the filter does not get clogged with fine sludge and causes only a minor pressure loss.

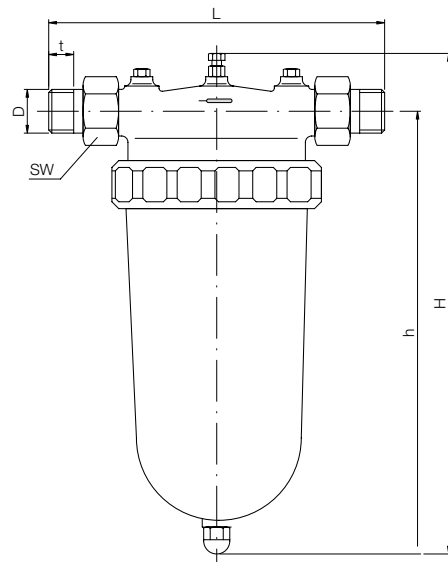
Magnetic filter, female thread, MFR-00



Adapter magnetic filter, female thread, MFT-I



Adapter magnetic filter, threaded connection, MFT-A, MFT-L





Materials

Screw-on magnetic filter: body bronze
 Adapter magnetic filter: body brass
 Filter cartridge: stainless steel
 Magnets: oxide ceramic
 Gasket: Klinger Sil® C-4300

Mounting

Screw-on magnetic filter: horizontal or vertical
 Adapter magnetic filter: horizontal

Maintenance

First check after being put into operation. Thereafter, frequency of checks are dependent on actual rate of contamination, with at least one check per year.

Cleaning

Clean with water stream/compressed air and brush.

Technical Details

Thread connection: female thread G ½ ... G3
 male thread R ¾ ... R 1 ¼
 (according to DIN 2999)
 Solder connections: 22 mm ... 35 mm
 Flanges: according to DIN 2533
 DN 50 ... DN 200

Nominal pressures

Screw-on magnetic filter: PN 16
 Adapter magnetic filter: PN 10

Max. temperature

Screw-on magnetic filter: 200 °C
 Adapter magnetic filter: 90 °C
 Mesh size: see table

Dimensions and Order Details (example: **MFR-0015**)

Version	Conne- ction	k _v -value [m³/h]	Mesh size [µm]	Size of filter cartridge [mm]	L [mm]	h [mm]	H [mm]	t [mm]	AF [mm]	Weight [kg]	ID no.
Female thread	G ½	6.2	280	19/32	64	45	-	-	-	0.3	MFR-0015
	G ¾	7.7	280	25/38	74	55	-	-	-	0.3	MFR-0020
	G 1	12.4	280	29/46	82	62	-	-	-	0.4	MFR-0025
	G 1 ¼	13.9	280	37/55	96	73	-	-	-	0.5	MFR-0032
	G 1 ½	18.5	280	43/61	112	84	-	-	-	0.9	MFR-0040
	G 2	31	280	58/75	134	103	-	-	-	2.2	MFR-0050
	G 2 ½	56	280	66/9	151	105	-	-	-	2.8	MFR-0065
	G 3	80	530	80/130	172	129	-	-	-	4.8	MFR-0080
Female thread adapter	Rp 1	17.5	600	70/197	130	283	324	-	-	5.1	MFT-I025
	Rp 1 ¼	20	600	70/197	135	283	324	-	-	5.1	MFT-I032
	Rp 1 ½	25	600	70/197	150	293	338	-	-	5.5	MFT-I040
	Rp 2	33	600	70/197	160	299	351	-	-	6.0	MFT-I050
Male thread adapter	R ¾	12	600	70/197	192	283	324	11	37	5.3	MFT-A020
	R 1	17.5	600	70/197	223	283	324	19	46	5.5	MFT-A025
	R 1 ¼	21	600	70/197	253	283	324	21.5	52	5.9	MFT-A032
Solder connection adapter	22 mm	12	600	70/197	176	283	324	17	37	5.3	MFT-L020
	28 mm	17.5	600	70/197	184	283	324	18.5	46	5.5	MFT-L025
	35 mm	21	600	70/197	200	283	324	23.5	52	5.9	MFT-L032



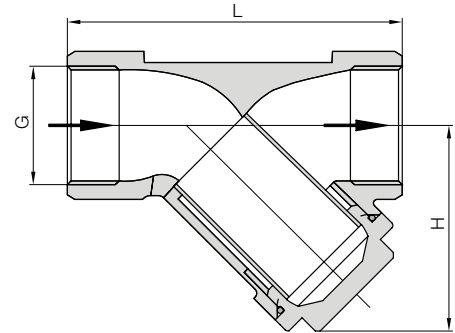
Technical Details MFR-female thread (brass version)

Design: two-part screwed body
 Connections: female thread G 1/4 ... G 4
 DIN ISO 228
 Nominal pressure: see table
 Temperature range: max. 90°C (water)
 -15°C... 110°C (air)
 Mesh size: see table
 Mounting position: cover toward bottom,
 note specified direction of flow

Materials

Body: brass Ms 58
 Cover: brass Ms 58
 Mesh: stainless steel AISI304
 Cap seal: NBR
 G 2 1/2 ... G 4 = Betaflex 71
 cellulose with NBR

MFR-IG



Dimensions and Order Details

MFR-IG brass version
 (example: MFR-IGR15)

Screw thread [G]	k _v -value [m³/h]	Order no.	Mesh size [µm]	L [mm]	H [mm]	Nominal pressure	Weight [kg]
1/4	2.20	MFR-IGR 08	500	55	40	PN20	0.13
1/4		MFR-IGR 08 (F)	50	55	40		
3/8	3.43	MFR-IGR 10	500	55	40		0.13
3/8		MFR-IGR 10 (F)	50	55	40		
1/2	4.48	MFR-IGR 15	500	58	40		0.15
1/2		MFR-IGR 15 (F)	50	58	40		
3/4	7.86	MFR-IGR 20	500	70	48		0.24
3/4		MFR-IGR 20 (F)	50	70	48		
1	11	MFR-IGR 25	500	87	56		0.38
1		MFR-IGR 25 (F)	50	87	56		
1 1/4	16	MFR-IGR 32	500	96	64		0.56
1 1/4		MFR-IGR 32 (F)	50	96	64		
1 1/2	22	MFR-IGR 40	500	106	73		0.7
1 1/2		MFR-IGR 40 (F)	50	106	73		
2	35	MFR-IGR 50	500	126	89	1.2	
2		MFR-IGR 50 (F)	50	126	89		
2 1/2	60	MFR-IGR 65	800	150	107	PN16	2.2
3	83	MFR-IGR 80	800	169	120		3.1
4	100	MFR-IGR 1H	800	219	161		6.6

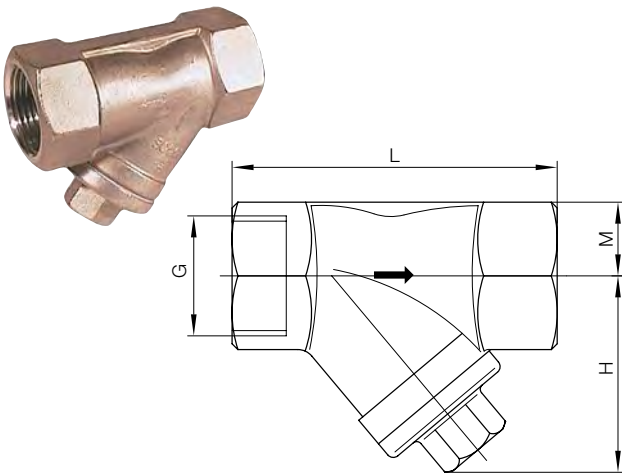
Technical Details MFR-EA (version stainless steel)

Design: two-part screwed body
 Connections: female thread G ½... G 2
 DIN ISO 228 T1
 Nominal pressure: PN 40
 Temperature range: -30°C ... +180°C (air)
 Mesh size: filter (standard) 500 µm
 filter (fine) 250 µm
 Mounting position: cover toward bottom,
 note specified direction of flow

Materials

Body: stainless steel 1.4408
 Cover: stainless steel 1.4408
 Mesh: stainless steel 1.4301
 Gasket: PTFE

MFR-EA



Dimensions and Order Details

MFR-EA stainless steel version
 (example: MFR-EAR15E)

Screw thread [G]	Order no. filter (standard)	Order no. filter (fine)	M [mm]	H [mm]	L [mm]
½	MFR-EAR15E	MFR-EAR15D	12.5	42.5	65.0
¾	MFR-EAR20E	MFR-EAR20D	15.5	49.0	75.0
1	MFR-EAR25E	MFR-EAR25D	18.5	57.5	90.0
1¼	MFR-EAR32E	MFR-EAR32D	23.0	65.0	110.0
1½	MFR-EAR40E	MFR-EAR40D	26.5	74.0	120.0
2	MFR-EAR50E	MFR-EAR50D	33.5	85.0	150.0



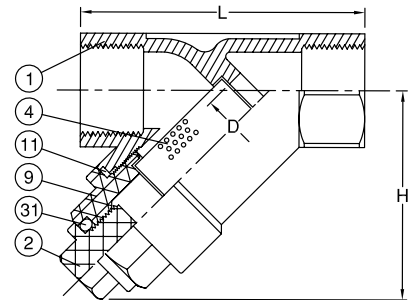
Technical Details MFR-DO (version stainless steel)

Design: two-part screwed body
 Connections: female thread G ¼ ... G 3
 DIN ISO 228-1
 Nominal pressure: PN 40
 Temperature range: -20 °C ... +180 °C
 Mesh size: 200 mesh/75 µm for G ¼, G ¾
 100 mesh/150 µm for G ½, G 1, G 1½
 40 mesh/400 µm for G 2, G 3
 Mounting position: cover toward bottom,
 note specified direction of flow

Materials

Body (1): stainless steel 1.4408, EN1503-1
 Plug (2): stainless steel 1.4408, EN1503-1
 Screen (4): stainless steel 316
 Bonnet (9): stainless steel 1.4408, EN1503-1
 Body seal (11): PTFE
 O-ring (31): FPM

MFR-DO



Dimensions, weight and Order Details

MFR-DO stainless steel version
 (example: MFR-DOR15)

Order no.	Size		L [mm]	H [mm]	D [mm]	Weight [kg]
	DN	inch				
MFR-DOR08	DN08	¼"	65.0	51.0	10.0	0.25
MFR-DOR10	DN10	⅜"	65.0	51.0	12.0	0.25
MFR-DOR15	DN15	½"	65.0	51.0	15.0	0.25
MFR-DOR25	DN25	1"	90.0	72.0	25.0	0.70
MFR-DOR40	DN40	1½"	120.0	87.0	40.0	1.20
MFR-DOR50	DN50	2"	140.0	103.0	50.0	1.90
MFR-DOR80	DN80	3"	200.0	143.0	80.0	6.16

По вопросам продаж и поддержки обращайтесь:

Алматы (727)345-47-04
Ангарск (3955)60-70-56
Архангельск (8182)63-90-72
Астрахань (8512)99-46-04
Барнаул (3852)73-04-60
Белгород (4722)40-23-64
Благовещенск (4162)22-76-07
Брянск (4832)59-03-52
Владивосток (423)249-28-31
Владикавказ (8672)28-90-48
Владимир (4922)49-43-18
Волгоград (844)278-03-48
Вологда (8172)26-41-59
Воронеж (473)204-51-73
Екатеринбург (343)384-55-89

Иваново (4932)77-34-06
Ижевск (3412)26-03-58
Иркутск (395)279-98-46
Казань (843)206-01-48
Калининград (4012)72-03-81
Калуга (4842)92-23-67
Кемерово (3842)65-04-62
Киров (8332)68-02-04
Коломна (4966)23-41-49
Кострома (4942)77-07-48
Краснодар (861)203-40-90
Красноярск (391)204-63-61
Курск (4712)77-13-04
Курган (3522)50-90-47
Липецк (4742)52-20-81

Магнитогорск (3519)55-03-13
Москва (495)268-04-70
Мурманск (8152)59-64-93
Набережные Челны (8552)20-53-41
Нижний Новгород (831)429-08-12
Новокузнецк (3843)20-46-81
Ноябрьск (3496)41-32-12
Новосибирск (383)227-86-73
Омск (3812)21-46-40
Орел (4862)44-53-42
Оренбург (3532)37-68-04
Пенза (8412)22-31-16
Петрозаводск (8142)55-98-37
Псков (8112)59-10-37
Пермь (342)205-81-47

Ростов-на-Дону (863)308-18-15
Рязань (4912)46-61-64
Самара (846)206-03-16
Санкт-Петербург (812)309-46-40
Саратов (845)249-38-78
Севастополь (8692)22-31-93
Саранск (8342)22-96-24
Симферополь (3652)67-13-56
Смоленск (4812)29-41-54
Сочи (862)225-72-31
Ставрополь (8652)20-65-13
Сургут (3462)77-98-35
Сыктывкар (8212)25-95-17
Тамбов (4752)50-40-97
Тверь (4822)63-31-35

Тольятти (8482)63-91-07
Томск (3822)98-41-53
Тула (4872)33-79-87
Тюмень (3452)66-21-18
Ульяновск (8422)24-23-59
Улан-Удэ (3012)59-97-51
Уфа (347)229-48-12
Хабаровск (4212)92-98-04
Чебоксары (8352)28-53-07
Челябинск (351)202-03-61
Череповец (8202)49-02-64
Чита (3022)38-34-83
Якутск (4112)23-90-97
Ярославль (4852)69-52-93

Россия +7(495)268-04-70

Казахстан +7(727)345-47-04

Беларусь +375-257-127-884

Узбекистан +998(71)205-18-59

Киргизия +996(312)96-26-47

эл.почта: kdb@nt-rt.ru || сайт: <https://kobold.nt-rt.ru/>